

...ing to a 6.0' diameter exit. A two speed motor with fan (blower) mounted to wall by means of a support bracket, shall draw and propel exhaust fumes and heat via a flexible hose to a exterior surface mounted gravity operated louver. The placement of the hood and blower subassembly shall be user adjustable via a swinging wall bracket pulley and counterweight system.

- 2) Non-explosion proof blower (two speed):
- 1/2 hp, 1/60/115 motor.
 - Low speed; 400 cfm @ 0.0' w.g., 2.3 amps, 1500 rpm.
 - High speed; 450

- 3) Flexible exhaust hose:
- Triple ply laminate, aluminized polyester face and an aluminum foil backing.
 - Corrosion, moisture, temperature (250 deg. f.), and flame resistant.
 - 6.0" diameter, 10' (ft.) length.
 - Flexible hose fastened by plastic hose clamps (qty=2).
 - UL listed number 723.
 - Cut to shortest length permissible.

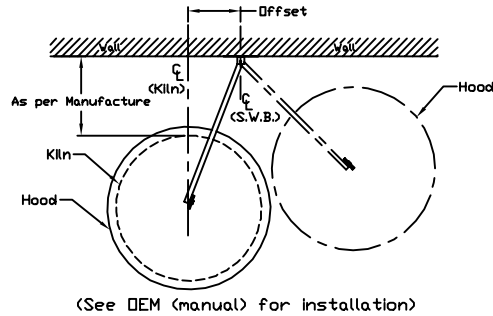
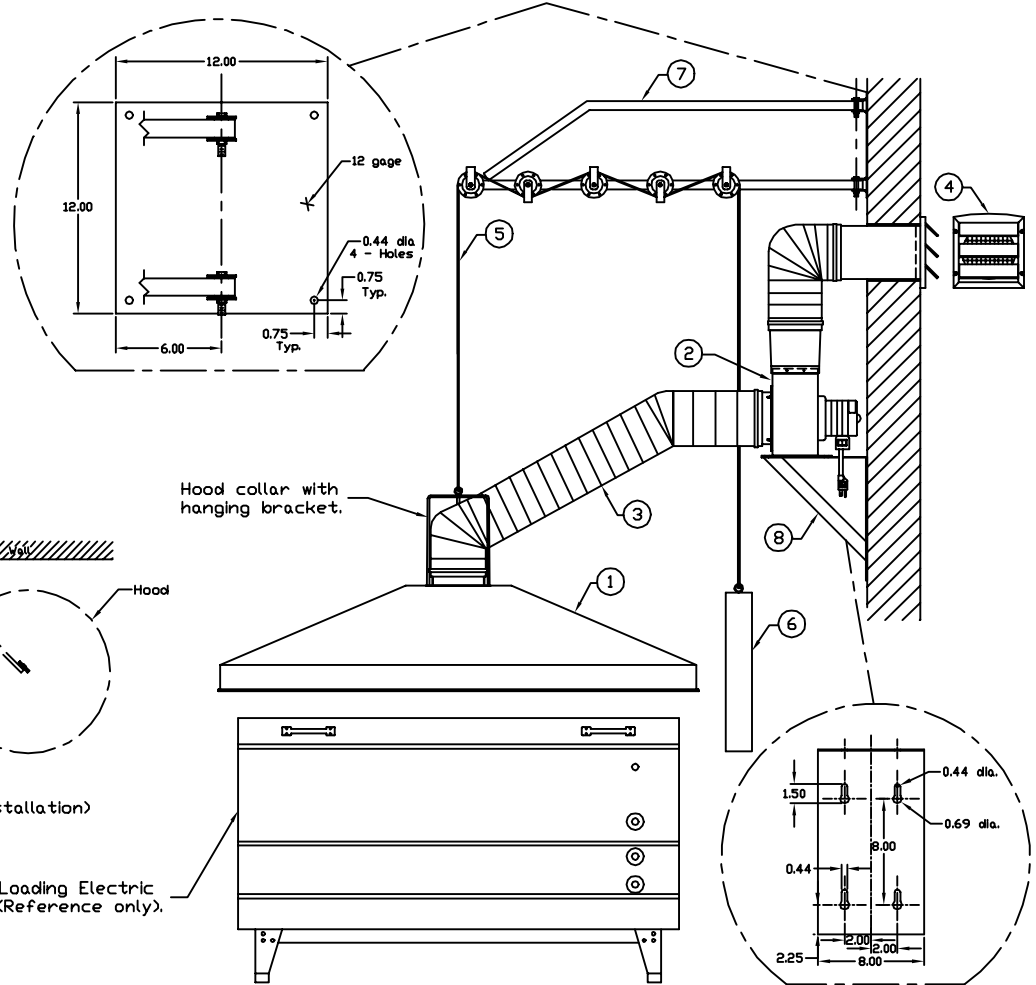
- 4) Exterior surface mounted louver:
- 6.0" diameter discharge.
 - Bird screen.
 - Three (3) gravity operated shutters.

- 5) 3/8" diameter plastic coated steel cable:
- 10' (ft.) length.
 - Two (2) 3/8" galvanized steel cable clamps for fastening cable to counterweight and blower.

- 6) Counterweight:
- 3.0" diameter cold rolled steel, painted VAF/VAK black.
 - weight = 28.0 lbs..

- 7) Swing wall bracket with pulley system:
- Continuous friction hinge design
 - 1.0"x1.0"x45.0" length structural tubing.
 - two (5) ball bearing pulleys and one (1) resistance pulley.
 - two (5) pulley safety straps.
 - wall to center of hood when SWB is perpendicular to wall is 46.5".

- 8) Blower wall support bracket:
- 12 gage steel.
 - Painted VAF/VAK black



Top Loading Electric Kiln (Reference only).

All Dimensions Inches

LETTER	ALTERATION	DATE	BY

UNLESS SHOWN OTHERWISE TOLERANCES SHOULD BE:
 1.) .XXX ± .005
 2.) .XX ± .01
 3.) FRACTIONAL DIMENSIONS ± 1/32"
 4.) ANGLES ± 0° 30'

ALL INFORMATION CONTAINED HEREIN IS PROPRIETARY, AND MUST NOT BE REPRODUCED OR MADE PUBLIC WITHOUT WRITTEN CONSENT FROM Vent-A-Fume/Vent-A-Kiln Corp.

Vent-A-Fume Vent-A-Kiln Corp. 51 Botsford Place Buffalo, N.Y. 14216		PROJECT NUMBER XXX	DRAWN B. Brandon
Negative Pressure		DATE 4/10/07	CHECKED BY
TITLE: Model: 1654-NP-SWB (P-10BP Blower)		SCALE NTS	BILL OF MAT'L
		NEXT ASS'Y	
		DWG. NO. B-1219	REV.