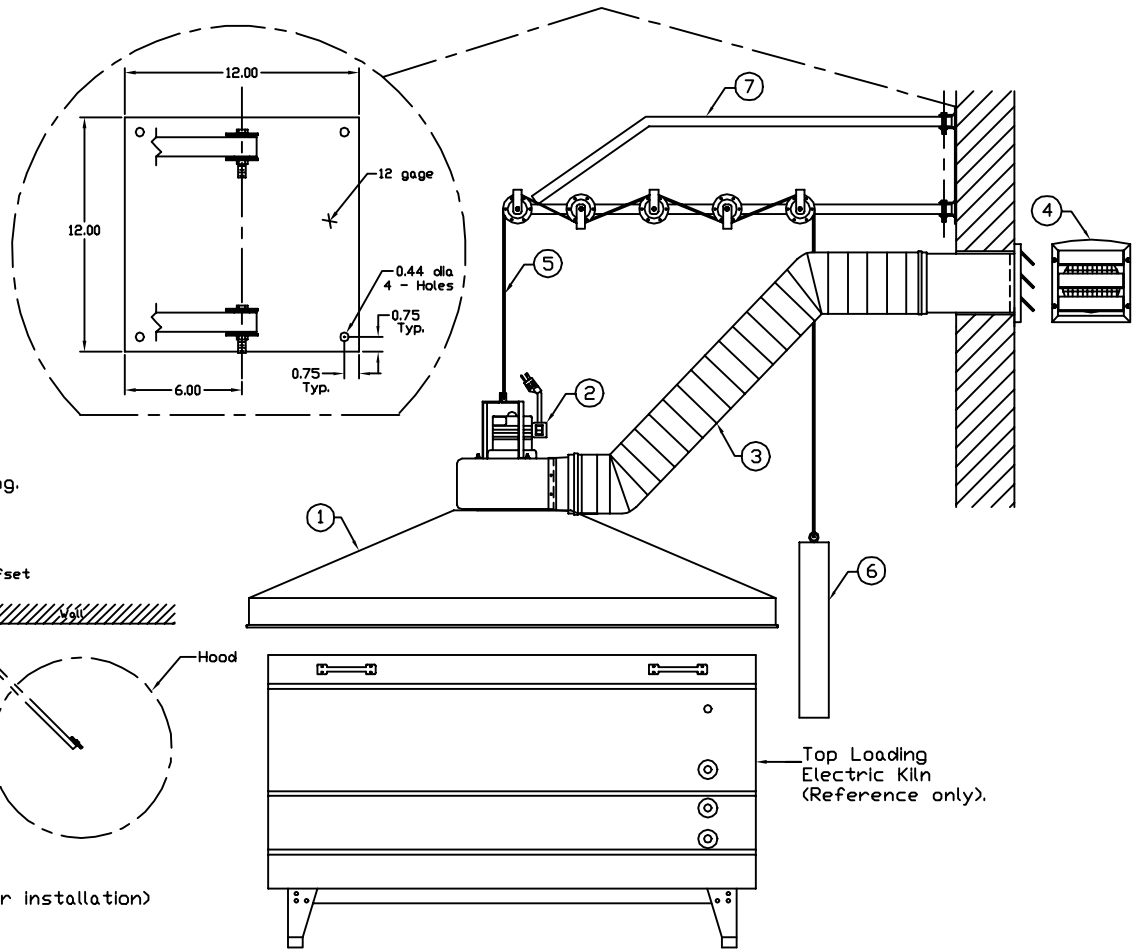


wing Wall Bracket) Specifications

The Vent-A-Kiln model 1654 ventilation system shall include a 54.0" diameter metal spun aluminum hood tapering to a 6.0" diameter exit. A two speed motor with fan (blower) mounted on top the hood, shall draw and propel exhaust fumes and heat via a flexible hose to a exterior surface mounted gravity operated louver. The placement of the hood and blower subassembly shall be user adjustable via a swing wall bracket, pulley and counterweight system.



- 3) Flexible exhaust hose:
- Triple ply laminate, aluminized polyester face and an aluminum foil backing.
 - Corrosion, moisture, temperature (250 deg. f.), and flame resistant.
 - 6.0" diameter, 10' (ft.) length.
 - Flexible hose fastened by plastic hose clamps (qty=2).
 - UL listed number 723.
 - Cut to shortest length permissible.

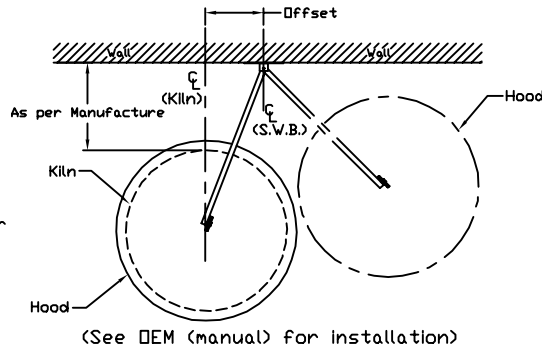
- 4) Exterior surface mounted louver:
- 6.0" diameter discharge.
 - Bird screen.
 - Three (3) gravity operated shutters.

- 5) 3/8" diameter plastic coated steel cable:
- 15' (ft.) length.
 - Two (2) 3/8" galvanized steel cable clamps for fastening cable to coil.

- 6) Counterweight:
- 3.0" diameter cold rolled steel, painted VAF/VAK black.
 - weight 36.0 lbs.

- 7) Swing wall bracket with pulley system:
- Continuous friction hinge design.
 - 1.0"x1.0"x45.0" length structural tubing.
 - Five (5) ball bearing pulleys.
 - Five (5) pulley safety straps.
 - Wall to center of hood when SWB is perpendicular is 46.5'.

- 8) Over all weight:
- approximately 78lb.



LETTER	ALTERATION	DATE	BY
A	New Continuous Friction S.W.B. Design Added	4/4/07	B.Brandon

UNLESS SHOWN OTHERWISE TOLERANCES SHOULD BE:
 1.) .XXX ± .005
 2.) .XX ± .01
 3.) FRACTIONAL DIMENSIONS ± 1/32"
 4.) ANGLES ± 0° 30'
 ALL INFORMATION CONTAINED HEREIN IS PROPRIETARY, AND MUST NOT BE REPRODUCED OR MADE PUBLIC WITHOUT WRITTEN CONSENT FROM Vent-A-Fume/Vent-A-Kiln Corp.

Vent-A-Fume Vent-A-Kiln Corp. 51 Botsford Place Buffalo, N.Y. 14216		PROJECT NUMBER XXX	DRAWN BY B. Brandon
Positive Pressure		DATE 8/28/03	CHECKED BY
TITLE: Model: 1654 With Swing Wall Bracket (P-10 Blower)		SCALE NTS	BILL OF MATL
Dwg. No. B-1059		NEXT ASSY	REV. A

All Dimensions Inches