

...ilation system shall include a 44.0" diameter metal spun aluminum hood tapering to a 6.0" diameter exit. A two speed motor with fan (blower) mounted to wall by means of a support bracket, shall draw and propel exhaust fumes and heat via a flexible hose to a exterior surface mounted gravity operated louver. The placement of the hood and blower subassembly shall be user adjustable via a swinging wall bracket pulley and counterweight system.

2) Non-explosion proof blower (two speed):

- 1/8" hi

3) Flexible exhaust hose:

- Triple ply laminate, aluminized polyester face and an aluminum foil backing.
- Corrosion, moisture, temperature (250 deg. f.), and flame resistant.
- 6.0" diameter, 10' (ft.) length.
- Flexible hose fastened by plastic hose clamps (qty=2).
- UL listed number 723.
- Cut to shortest length permissible.

4) Exterior surface mounted louver:

- 6.0" diameter discharge.
- Bird screen.
- Three (3) gravity operated shutters.

5) 3/8" diameter plastic coated steel cable:

- 10' (ft.) length.
- Two (2) 3/8" galvanized steel cable clamps for fastening cable to counterweight and blower.

6) Counterweight:

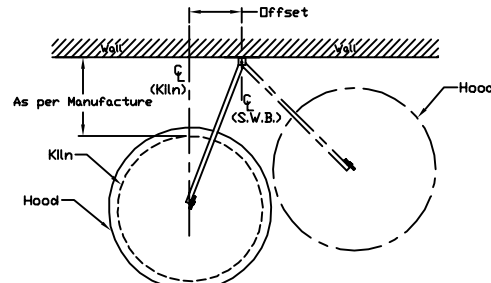
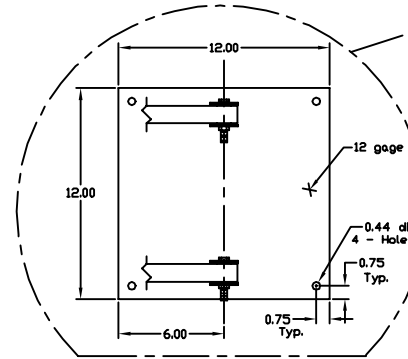
- 3.0" diameter cold rolled steel, painted VAF/VAK black.
- weight = 14.0 lbs..

7) Swing wall bracket with pulley system:

- Continuous friction hinge design
- 1.0"x1.0"x45.0" length structural tubing.
- two (2) ball bearing pulleys and one (1) resistance pulley.
- two (2) pulley safety straps.
- wall to center of hood when SWB is perpendicular to wall is 46.5".

8) Blower wall support bracket:

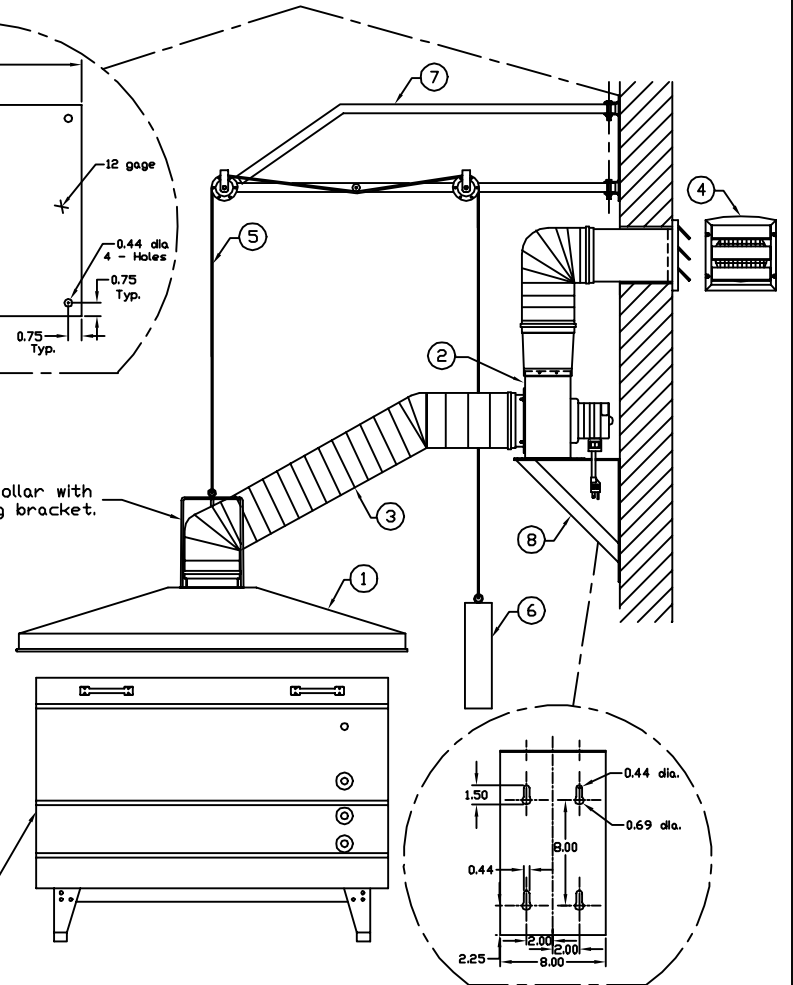
- 12 gage steel.
- Painted VAF/VAK black



(See OEM (manual) for Installation)

Top Loading Electric Kiln (Reference only).

Hood collar with hanging bracket.



All Dimensions Inches

LETTER	ALTERATION	DATE	BY
A	New Continuous Friction S.V.B. Design Added	4/10/07	B.Brandon

UNLESS SHOWN OTHERWISE TOLERANCES SHOULD BE:
 1.) .XXX ± .005
 2.) .XX ± .01
 3.) FRACTIONAL DIMENSIONS ± 1/32"
 4.) ANGLES ± 0' 30"
 ALL INFORMATION CONTAINED HEREIN IS PROPRIETARY, AND MUST NOT BE REPRODUCED OR MADE PUBLIC WITHOUT WRITTEN CONSENT FROM Vent-A-Fume/Vent-A-Kiln Corp.

Vent-A-Fume Vent-A-Kiln Corp. 51 Botsford Place Buffalo, N.Y. 14216		PROJECT NUMBER XXX	DRAWN BY B. Brandon
Negative Pressure		DATE 4/10/07	CHECKED BY
TITLE: Model: 1544-NP-SWB (P-10BP Blower)		SCALE NTS	BILL OF MAT'L
		NEXT ASS'Y	
		DWG. NO. B-1166	REV. A