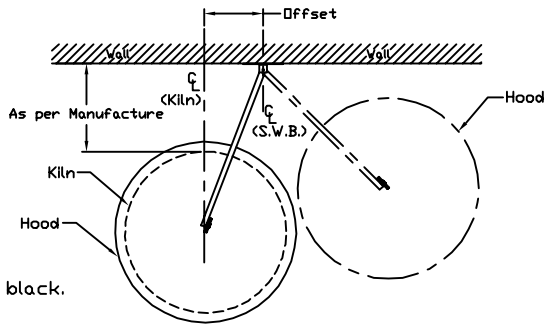
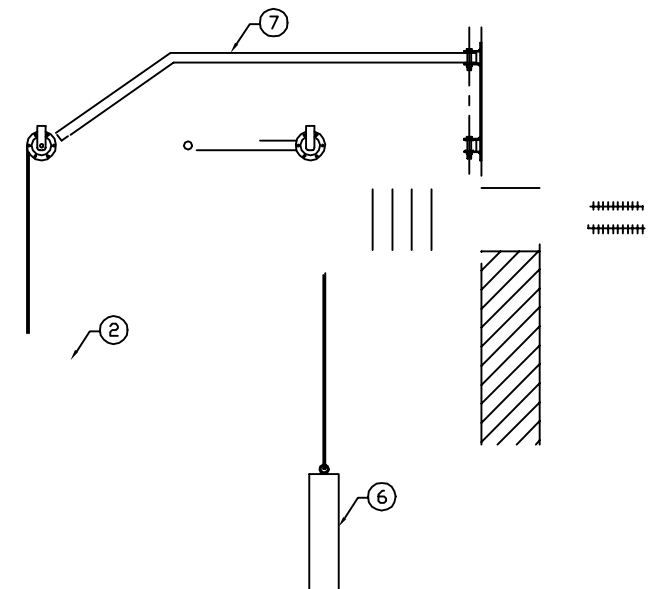
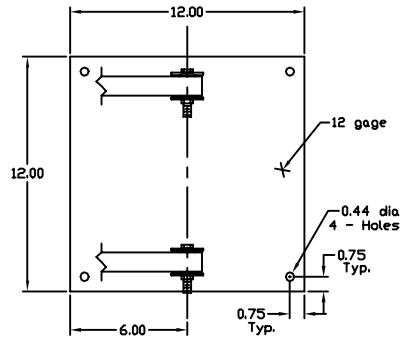


Model: 1544 (Swing Wall Bracket) Specifications

The Vent-A-Kiln model 1544 ventilation system shall include a 44.0" diameter metal spun aluminum hood tapering to a 6.0" diameter exit. A two speed motor with fan (blower) mounted on top the hood, shall draw and propel exhaust fumes and heat via a flexible hose to a exterior surface mounted gravity operated louver. The placement of the hood and blower subassembly shall be user adjustable via a swing wall bracket, pulley and counterweight system.

- 1) Conical collection hood:
 - 44.0" diameter, 0.063 gage aluminum, alloy 1100-0.
- 2) Non-explosion proof blower (two speed):
 - 1/2 hp, 1/60/115 motor.
 - Low speed; 400 cfm @ 0.0" w.g., 2.3 amps, 1500 rpm.
 - High speed; 450 cfm @ 0.0" w.g., 3.6 amps, 1600 rpm.
 - Maximum continuous motor Temperature 250 deg. f..
 - Sound data; approximate db at 5 feet: high 68db, low 54db.
- 3) Flexible exhaust hose:
 - Triple ply laminate, aluminized polyester face and an aluminum foil backing.
 - Corrosion, moisture, temperature (250 deg. f.), and flame resistant.
 - 6.0" diameter, 10' (ft.) length.
 - Flexible hose fastened by plastic hose clamps (qty=2).
 - UL listed number 723.
 - Cut to shortest length permissible.
- 4) Exterior surface mounted louver:
 - 6.0" diameter discharge.
 - Bird screen.
 - Three (3) gravity operated shutters.
- 5) 3/16" diameter plastic coated steel cable:
 - 10' (ft.) length.
 - Two (2) 3/16" galvanized steel cable clamps for fastening cable to counterweight and blower.
- 6) Counterweight:
 - 3.0" diameter cold rolled steel, painted VAF/VAK black.
 - weight 24.0 lbs..
- 7) Swing wall bracket with pulley system:
 - Continuous friction hinge design
 - 1.0"x1.0"x45.0" length structural tubing.
 - two (2) ball bearing pulleys and one (1) resistance pulley.
 - two (2) pulley safety s



(See OEM (manual) for installation)

	Continuous Friction S.W.B. Design Added	4/3/07	B.Brandon	UNLESS SHOWN OTHERWISE TOLERANCES SHOULD BE: 1) .XXX ± .005 2) .XX ± .01 3) FRACTIONAL DIMENSIONS ± 1/32" 4) ANGLES ± 0° 30'	Vent-A-Fume Vent-A-Kiln Corp. 51 Botsford Place Buffalo, N.Y. 14216	PROJECT NUMBER XXX	DRAWN B. Brandon
						DATE 8/28/03	CHECKED BY
					SCALE NTS	BILL OF MATL	
					Positive Pressure	NEXT ASS'Y	
LETTER	ALTERATION	DATE	BY	ALL INFORMATION CONTAINED HEREIN IS PROPRIETARY, AND MUST NOT BE REPRODUCED OR MADE PUBLIC WITHOUT WRITTEN CONSENT FROM Vent-A-Fume/Vent-A-Kiln Corp.	TITLE: Model: 1544 With Swing Wall Bracket (P-10 Blower)	DWG. NO. B-1058	REV.