

Model: 1227/500, 1332/500 & 1437/500-SWB (NP) Negative Pressure Specifications

The Vent-A-Kiln model 1227/500-NP-SWB, 1332/500-NP-SWB & 1437/500-NP-SWB negative pressure ventilation systems shall include a conical metal spun aluminum hood tapering to a 6.0" diameter exit. A two speed motor with fan (blower) mounted to wall by means of a support bracket, shall draw and propel exhaust fumes and heat via a flexible hose to a exterior surface mounted gravity operated louver. The placement of the hood and blower subassembly shall be user adjustable via a swinging wall bracket with a continuous friction hinge design. The subassembly shall also include a pulley and counterweight system.

- 1) Conical collection hood:
 - Metal spun from 0.063 gage aluminum, alloy 1100-0.

- 2) Non-explosion proof blower (two sp

- UL listed number 723.
 - Cut to shortest length permissible.

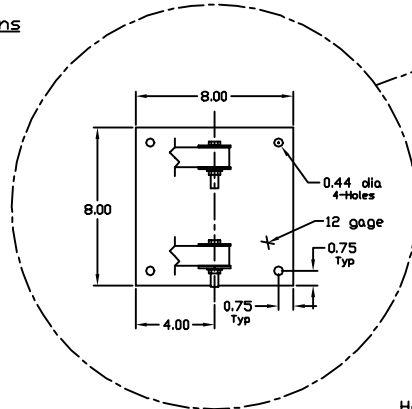
- 4) Exterior surface mounted louver:
 - 6.0" diameter discharge.
 - Bird screen.
 - Three (3) gravity operated shutters.

- 5) 3/8" diameter plastic coated steel cable:
 - 10' (ft.) length.
 - Two (2) 3/8" galvanized steel cable clamps for fastening cable to counterweight and blower.

- 6) Counterweight:
 - 3.0" diameter cold rolled steel, painted VAF/VAK black.

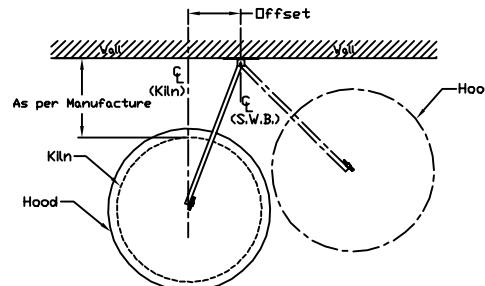
- 7) Swing wall bracket with pulley system:
 - Continuous friction hinge design.
 - 10"x1.0"x35.0" length structural tubing.
 - two (2) ball bearing pulleys and one (1) resistance pulley.
 - Two (2) slide brackets for hanging of system.
 - two (2) pulley safety straps.
 - Wall to center of hood when SWB is perpendicular to wall is 36.0".

- 8) Blower wall support bracket:
 - 12 gage steel.
 - Painted VAF/VAK black

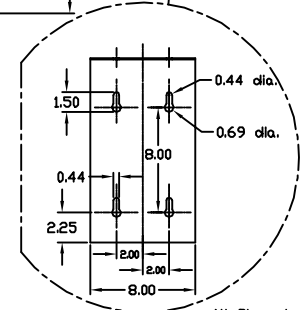
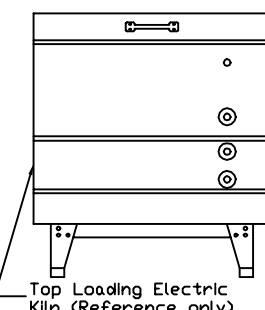
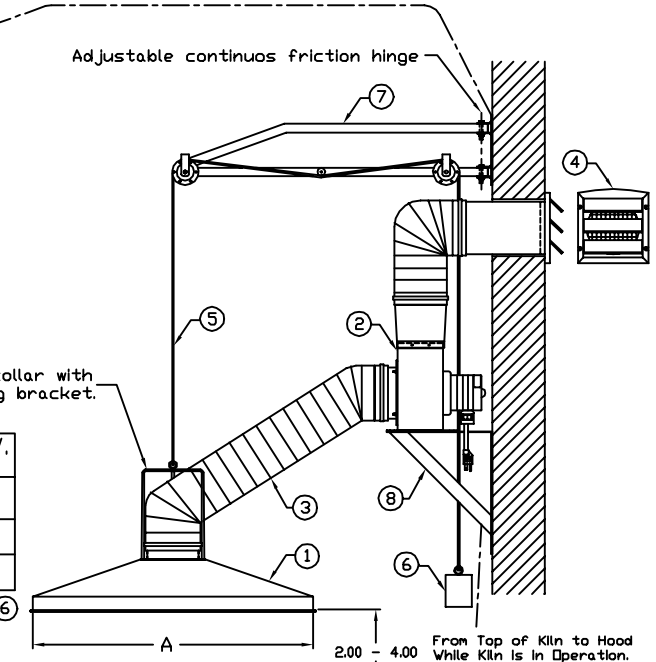


Model	Hood Diameter A (in)	C.W. (lbs)	O.A.W. (lbs)
1227/500-NP-SWB	27.0	5.0	59.0
1332/500-NP-SWB	32.0	6.0	63.0
1437/500-NP-SWB	37.0	7.0	67.0

C.W. - Counter Weight (6)
 O.A.W. - Overall Weight



(See OEM (manual) for installation)



LETTER	ALTERATION	DATE	BY
A	Replaces DWG: B-1159 & B-1205	4/11/07	B.Brandon

UNLESS SHOWN OTHERWISE TOLERANCES SHOULD BE:
 1.) .001 ± .005
 2.) .002 ± .01
 3.) FRACTIONAL DIMENSIONS ± 1/32"
 4.) ANGLES ± 0° 30"
 ALL INFORMATION CONTAINED HEREIN IS PROPRIETARY, AND MUST NOT BE REPRODUCED OR MADE PUBLIC WITHOUT WRITTEN CONSENT FROM Vent-A-Fume/Vent-A-Kiln Corp.

Vent-A-Fume Vent-A-Kiln Corp. 51 Botsford Place Buffalo, N.Y. 14216		PROJECT NUMBER XXX	DRAWN BY B. Brandon
Negative Pressure		DATE 4/11/07	CHECKED BY
TITLE: Model: 1122, 1227, 1332 & 1437; NP-SWB (P-10BP)		SCALE NTS	BILL OF MAT'L
Dwg. No. B-1221		NEXT ASS'Y	REV. A