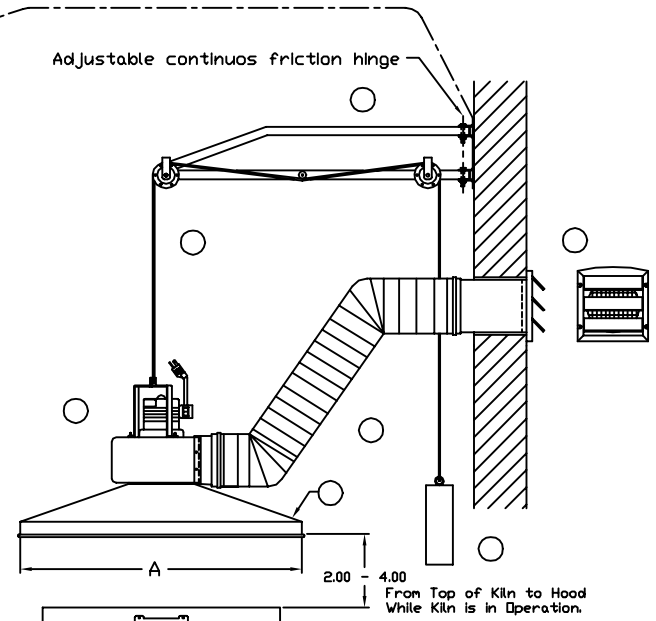
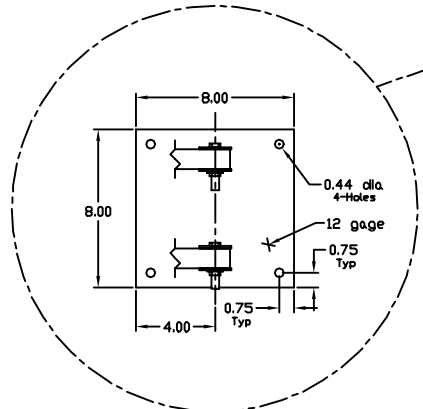


Model: 1227/500-SWB, 1332/500-SWB & 1437/500-SWB Specifications

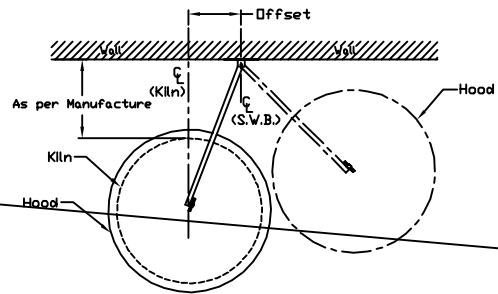
The Vent-A-Kiln model 1227/500-SWB, 1332/500-SWB & 1437/500-SWB ventilation systems shall include a conical metal spun aluminum hood tapering to a 6.0" diameter exit. A two speed motor with fan (blower) mounted on top the hood, shall draw and propel exhaust fumes and heat via a flexible hose to a exterior surface mounted gravity operated louver. The placement of the hood and blower subassembly shall be user adjustable via a swinging wall bracket with a continuous friction hinge design. The subassembly shall also include a pulley and counterweight system.

- 1) Conical collection hood:
 - Metal spun from 0.063 gage aluminum, alloy 1100-0.
- 2) Non-explosion proof blower (two speed):
 - 1/2 hp, 1/60/115 motor.
 - Low speed; 400 cfm @ 0.0' w.g., 2.3 amps, 1500 rpm.
 - High speed; 450 cfm @ 0.0' w.g., 3.6 amps, 1600 rpm.
 - Maximum continuous motor Temperature 250 deg. f..
 - Sound data; approximate dlb at 5 feet: high 68db, low 54db.
- 3) Flexible exhaust hose:
 - Triple ply laminate, aluminized polyester face and an aluminum foil backing.
 - Corrosion, moisture, temperature (250 deg. f.), and flame resistant.
 - 6.0" diameter, 10' (ft.) length.
 - Flexible hose fastened by plastic hose clamps (qty=2).
 - UL listed number 723.
 - Cut to shortest length permissible.
- 4) Exterior surface mounted louver:
 - 6.0" diameter discharge.
 - Bird screen.
 - Three (3) gravity operated shutters.
- 5) 3/8" diameter plastic coated steel cable:
 - 10' (ft.) length.
 - Two (2) 3/8" galvanized steel cable clamps for fastening cable to counterweight and blower.



Model	Hood Diameter A (in)	C.W. (lbs)	O.A.W. (lbs)
1227/500-SWB	27.0	16.0	56.0
1332/500-SWB	32.0	18.0	60.0
1437/500-SWB	37.0	18.0	62.0

C.W. - Counter Weight (6)
O.A.W. - Overall Weight



(See DEM (manual) for installation)

Dimensions in Inches

LETTER	ALTERATION	DATE	BY
A	Replaces DWG: B-1060 & B-1061	4/5/07	B.Brandon

UNLESS SHOWN OTHERWISE TOLERANCES SHOULD BE:
 1.) .XXX ± .005
 2.) .XX ± .01
 3.) FRACTIONAL DIMENSIONS ± 1/32"
 4.) ANGLES ± 0' 30"
 ALL INFORMATION CONTAINED HEREIN IS PROPRIETARY, AND MUST NOT BE REPRODUCED OR MADE PUBLIC WITHOUT WRITTEN CONSENT FROM Vent-A-Fume/Vent-A-Kiln Corp.

Vent-A-Fume Vent-A-Kiln Corp. 51 Botsford Place Buffalo, N.Y. 14216		PROJECT NUMBER	XXX	DRAWN BY	B. Brandon
		DATE	4/5/07	CHECKED BY	
Positive Pressure		SCALE	NTS	BILL OF MAT'L	
		NEXT ASSY			
TITLE: Model: 1122, 1227, 1332 & 1437-SWB-500		DWG. NO.	B-1216	REV.	A