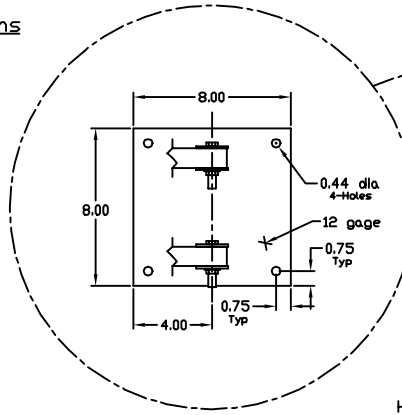


Model: 1122, 1227, 1332 & 1437-SWB (NP) Negative Pressure Specifications

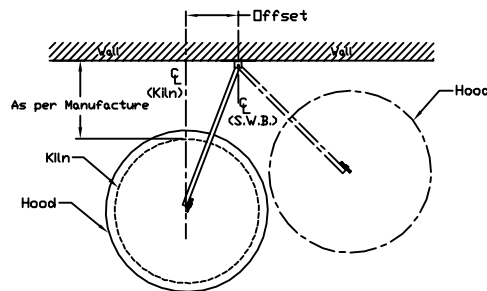
The Vent-A-Kiln model 1122-NP-SWB, 1227-NP-SWB, 1332-NP-SWB & 1437-NP-SWB negative pressure ventilation systems shall include a conical metal spun aluminum hood tapering to a 5 1/2" diameter exit. A two speed motor with fan (blower) mounted to wall by means of a support bracket, shall draw and propel exhaust fumes and heat via a flexible hose to a exterior surface mounted gravity operated louver. The placement of the hood and blower subassembly shall be user adjustable via a swinging wall bracket with a continuous friction hinge design. The subassembly shall also include a pulley and counterweight system.

- 1) Conical collection hood:
 - Metal spun from 0.063 gage aluminum, alloy 1100-0.
- 2) Non-explosion proof blower (two speed):
 - $\frac{1}{2}$ " y=2).
 - UL listed number 723.
 - Cut to shortest length permissible.
- 4) Exterior surface mounted louver:
 - 5.0" diameter discharge.
 - Bird screen.
 - Three (3) gravity operated shutters.
- 5) 3/8" diameter plastic coated steel cable:
 - 10' (ft.) length.
 - Two (2) 3/8" galvanized steel cable clamps for fastening cable to counterweight and blower.
- 6) Counterweight:
 - 3.0" diameter cold rolled steel, painted VAF/VAK black.
- 7) Swing wall bracket with pulley system:
 - Continuous friction hinge design.
 - 1.0"x1.0"x35.0" length structural tubing.
 - two (2) ball bearing pulleys and one (1) resistance pulley.
 - Two (2) slide brackets for hanging of system.
 - two (2) pulley safety straps.
 - Wall to center of hood when SWB is perpendicular to wall is 36.0°.
- 8) Blower wall support bracket:
 - 12 gage steel.
 - Painted VAF/VAK black

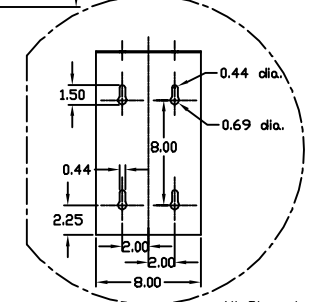
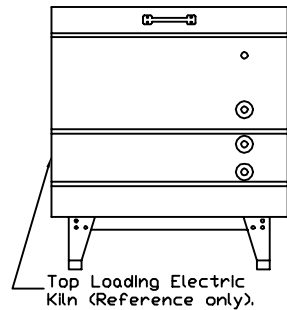
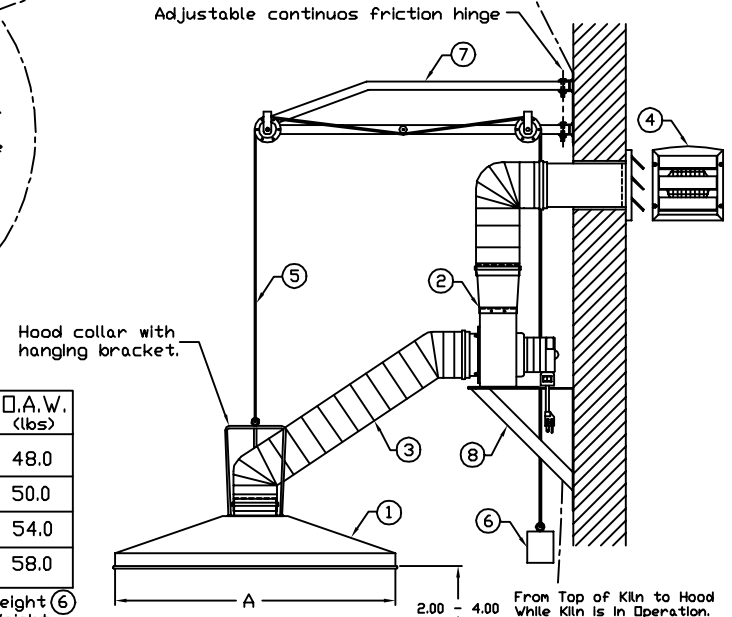


Model	Hood Diameter A (in)	C.W. (lbs)	O.A.W. (lbs)
1122-NP-SWB	22.0	5.0	48.0
1227-NP-SWB	27.0	6.0	50.0
1332-NP-SWB	32.0	7.0	54.0
1437-NP-SWB	37.0	11.0	58.0

C.W. - Counter Weight (6)
O.A.W. - Overall Weight



(See DEM (manual) for Installation)



All Dimensions Inches

LETTER	ALTERATION	DATE	BY
A	Replaces DWG: B-1083 & B-1082	4/11/07	B.Brandon

UNLESS SHOWN OTHERWISE TOLERANCES SHOULD BE:
 1) .00X ± .005
 2) .XX ± .01
 3) FRACTIONAL DIMENSIONS ± 1/32"
 4) ANGLES ± 0' 30"
 ALL INFORMATION CONTAINED HEREIN IS PROPRIETARY, AND MUST NOT BE REPRODUCED OR MADE PUBLIC WITHOUT WRITTEN CONSENT FROM Vent-A-Fume/Vent-A-Kiln Corp.

Vent-A-Fume
 Vent-A-Kiln Corp.
 51 Botsford Place
 Buffalo, N.Y. 14216
 Negative Pressure
 TITLE: Model: 1122, 1227, 1332 & 1437; NP-SWB (P-11BP)

PROJECT NUMBER	XXX	DRAWN BY	B. Brandon
DATE	4/11/07	CHECKED BY	
SCALE	NTS	BILL OF MATL	
NEXT ASSY			
DWG. NO.	B-1220	REV.	A