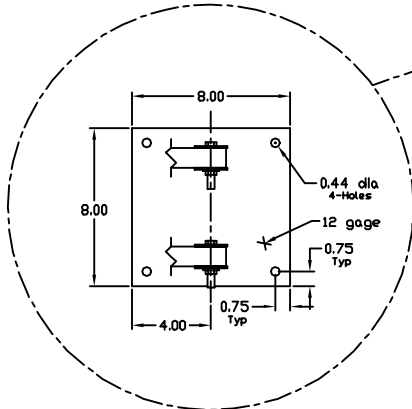


Model: 1122-SWB, 1227-SWB, 1332-SWB & 1437-SWB Specifications

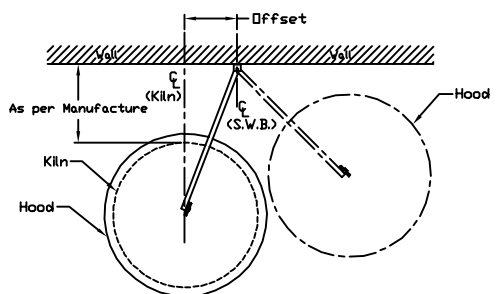
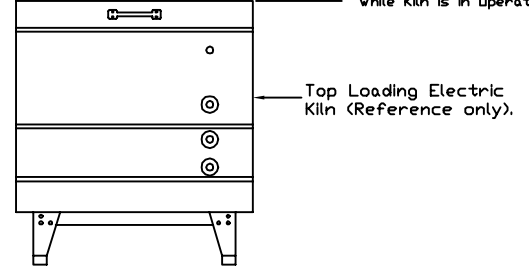
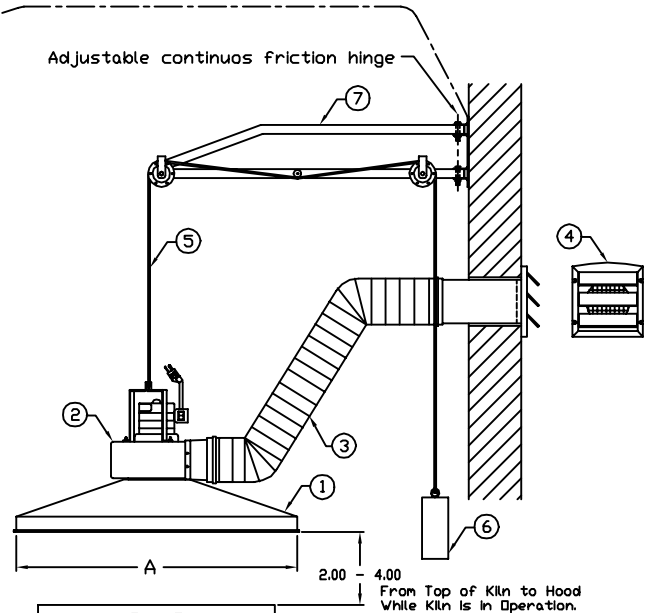
The Vent-A-Kiln model 1122-SWB, 1227-SWB, 1332-SWB & 1437-SWB ventilation systems shall include a conical metal spun aluminum hood tapering to a 5 1/2' diameter exit. A two speed motor with fan (blower) mounted on top the hood, shall draw and propel exhaust fumes and heat via a flexible hose to a exterior surface mounted gravity operated louver. The placement of the hood and blower subassembly shall be user adjustable via a swinging wall bracket with a continuous friction hinge design. The subassembly shall also include a pulley and counterweight system.

- 1) Conical collection hood:
 - Metal spun from 0.063 gage aluminum, alloy 1100-0.
- 2) Non-explosion proof blower (two speed):
 - 1/2 hp, 1/60/115 motor.
 - Low speed; 225 cfm @ 0.0" w.g., .93 amps, 1450 rpm.
 - High speed; 250 cfm @ 0.0" w.g., 1.7 amps, 1550 rpm.
 - Maximum continuous motor Temperature 250 deg. f.
 - Sound data; approximate db at 5 feet; high 62db, low 59db.
- 3) Flexible exhaust hose:
 - Triple ply laminate, aluminized polyester face and an aluminum foil backing.
 - Corrosion, moisture, temperature (250 deg. f.), and flame resistant.
 - 5.0' diameter, 10' (ft.) length.
 - Flexible hose fastened by plastic hose clamps (qty=2).
 - UL listed number 723.
 - Cut to shortest length permissible.
- 4) Exterior surface mounted louver:
 - 5.0' diameter discharge.
 - Bird screen.
 - Three (3) gravity operated shutters.
- 5) 18" diameter plastic coated steel cap



Model	Hood Diameter A (in)	C.W. (lbs)	O.A.W. (lbs)
1122-SWB	22.0	11.0	43.0
1227-SWB	27.0	11.0	44.0
1332-SWB	32.0	14.0	50.0
1437-SWB	37.0	16.0	54.0

C.W. - Counter Weight (6)
O.A.W. - Overall Weight



(See DEM (manual) for installation)

All Dimensions Inches

LETTER	ALTERATION	DATE	BY
A	Replaces DWG B-1054, B-1055, B-1056 & B-1057	4/4/07	B.Brandon

UNLESS SHOWN OTHERWISE TOLERANCES SHOULD BE:
 1.) .XXX ± .005
 2.) .XX ± .01
 3.) FRACTIONAL DIMENSIONS ± 1/32"
 4.) ANGLES ± 0' 30"

ALL INFORMATION CONTAINED HEREIN IS PROPRIETARY, AND MUST NOT BE REPRODUCED OR MADE PUBLIC WITHOUT WRITTEN CONSENT FROM Vent-A-Fume/Vent-A-Kiln Corp.

Vent-A-Fume Vent-A-Kiln Corp. 51 Botsford Place Buffalo, N.Y. 14216		PROJECT XXX NUMBER DATE 4/4/07 SCALE NTS	DRAWN B. Brandon CHECKED BY BILL OF MATL
Positive Pressure		NEXT ASSY	
TITLE: Model: 1122, 1227, 1332 & 1437; Swing Wall Bracket		DWG. NO. B-1215	REV. A