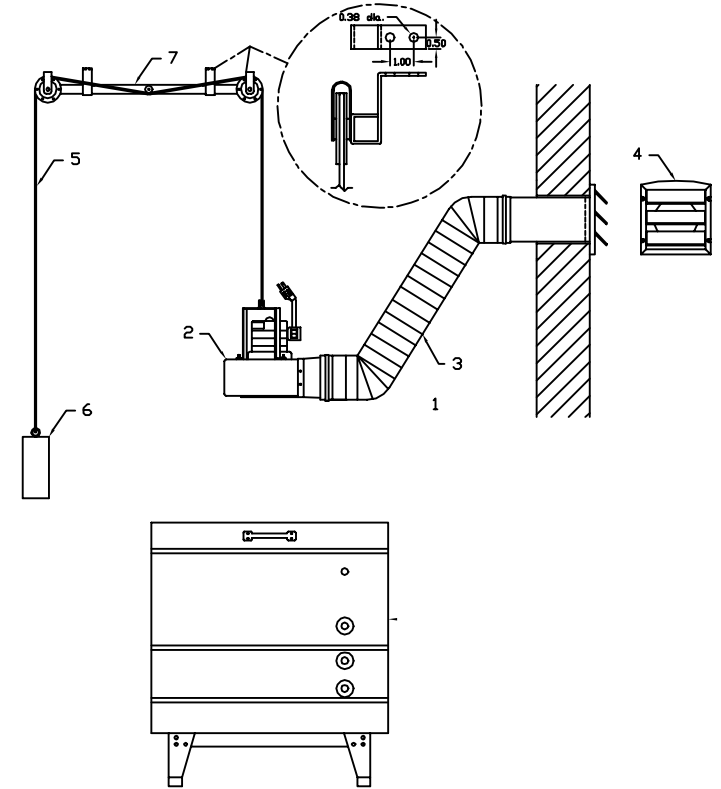


**Model: 1122, 1227, 1332 & 1437 Specifications**

The Vent-A-Kiln model 1122, 1227, 1332 & 1437 ventilation systems shall include a conical metal spun aluminum hood tapering to a 5½' diameter exit. A two speed motor with fan (blower) mounted on top the hood, shall draw and propel exhaust fumes and heat via a flexible hose to an exterior surface mounted gravity operated louver. The placement of the hood and blower subassembly shall be user adjustable via an overhead pulley and counterweight system.

- 1) Conical collection hood:
  - Metal spun from 0.063 gage aluminum, alloy 1100-0.
- 2) Non-explosion proof blower (two speed):
  - ½ hp, 1/60/115 motor.
  - Low speed; 225 cfm @ 0.0" w.g., .93 amps, 1450 rpm.
  - High speed; 250 cfm @ 0.0" w.g., 1.7 amps, 1550 rpm.
  - Maximum continuous motor Temperature 250 deg. f..
  - Sound data; approximate db at 5 feet: high 62db, low 59db.
- 3) Flexible exhaust hose:
  - Triple ply laminate, aluminized polyester face and an aluminum foil backing.
  - Corrosion, moisture, temperature (250 deg. f.), and flame resistant.
  - 5.0' diameter, 10' (ft.) length.
  - Flexible hose fastened by plastic hose clamps (qty=2).
  - UL listed number 723.
  - Cut to shortest length permissible.
- 4) Exterior surface mounted louver:
  - 5.0' diameter discharge.
  - Bird screen.
  - Three (3) gravity operated shutters.
- 5) ¾" diameter plastic coated steel cable:
  - 10' (ft.) length.
  - Two (2) ¾" galvanized steel cable clamps for fastening cable to counterweight and blower.
- 6) Counterweight:
  - 3.0' diameter cold rolled steel, painted VAF/VAK black.
- 7) Overhead pulley system:
  - 1.0"x1.0"x24.0" length structural tubing.
  - two (2) ball bearing pulleys and one (1) resistance pulley.
  - Two (2) slide brackets for hanging of system.
  - two (2) pulley safety straps.



LETTER	ALTERATION	DATE	BY

UNLESS SHOWN OTHERWISE TOLERANCES SHOULD BE:  
 1.) .XXX ± .005  
 2.) .XX ± .01  
 3.) FRACTIONAL DIMENSIONS ± 1/32"  
 4.) ANGLES ± 0' 30"

ALL INFORMATION CONTAINED HEREIN IS PROPRIETARY, AND MUST NOT BE REPRODUCED OR MADE PUBLIC WITHOUT WRITTEN CONSENT FROM Vent-A-Fume/Vent-A-Kiln Corp.

Vent-A-Fume Vent-A-Kiln Corp. 51 Botsford Place Buffalo, N.Y. 14216		PROJECT NUMBER	XXX	DRAWN BY	B. Brandon
		DATE	1/19/07	CHECKED BY	
Positive Pressure		SCALE	NTS	BILL OF MAT'L	
		NEXT ASS'Y			
TITLE: Model: 1122, 1227, 1332 & 1437 (P-11 Blower)		DWG. NO.	B-1209	REV.	